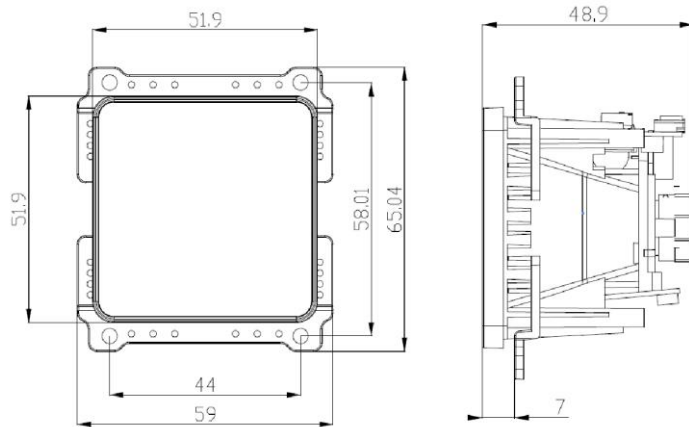


## Feature



## Scanners Specifications

Model Name	<b>SME560M</b>
Description	Stationary 2D barcode scan module
Engine	2D engine
Scan Mode	Presentation mode

## Performance Characteristics

• Motion Tolerance	3.0 m/sec
• Scan speed	60 frame /sec
• Light source	620nm Red LED
• Depth of field	13mil EAN13: 220 mm 20mil QR CODE: 200 mm
• Sensor	CMOS (1280x1024 pixels)
• Best resolution	1D (3mil) : Code 39
• Reading angle	Tilt: 360° / Pitch ±60° / Skew ±70°
• Print contrast	≥ 20% or more
• Indicators	LED & Beeper
• Symbologies	1D: EAN-8, EAN-13, ISSN, ISBN, UPC-A, UPC-E, Code 11, Code 32, Code 39, Code 93, Code 128, Codabar, industrial 2 of 5, Interleaved 2 of 5, Matrix 2 of 5, GS1-128, GS1 Databar, GS1 DataBar Limited, GS1 DataBar Expanded 2D: PDF417, Micro PDF417, QR Code, Micro QR Code, Data Matrix, Aztec
• Interface connection port	USB HID, USB Serial (by request), RS232 (by request) micro USB / 1.25mm wafer 5pin / FPC 12pin

## Electrical Characteristics

• Input voltage	5 V/DC ± 5%
• Current - operating	300 mA max

## Physical Characteristics

• Dimension (L x W x H)	65.04 X 59 X 45.9 mm
• Weight	24 g +/- 5 g
• Case material	ABS Plastic

## Environment

• Temperature-operation	-15°C to 55°C (This figure is when the module installed inside of the finished products)
• Temperature-storage	-30°C to 70°C (This figure is when the module installed inside of the finished products)
• Humidity-operation	up to 95% relative humidity, non-condensing
• Ambient Light	100,000 Lux max

**Decode Zone** (DOF is measured at the office under 600 lux and by Standard barcode. There are +/- 10 mm Torrence. DOF may be also impacted by barcode quality and environmental conditions. )

• 4 mil Code39	10 - 90 mm
• 5 mil Code39	10 - 110 mm
• 13 mil UPC-A	10 - 220 mm
• 6.67 mil PDF417	10 - 110 mm
• 10 mil DataMatrix	10 - 100 mm
• 20 mil QR Code	10 - 200 mm

*Product specification is subject to change without notice.*